



艾图官方微信
Aitu Wechat



Address 地址

艾图(浙江)智能缝制科技有限公司

Aitu (Zhejiang) Intelligent Sewing Technology Co., Ltd.

浙江省杭州市临平区南苑街道新丰路199号3幢301室
Room 301, Building 3, No.199 Xinfeng Road, NanyuanStreet, Linping
District, Hangzhou City, Zhejiang Province



Telephone 电话

400-8896-701



Website 官网

www.aitu-ai.com



AI 掌握人类经验
Mastering Human Experiences with AI

Brand Concept

品牌理念

一切智造，助人创造

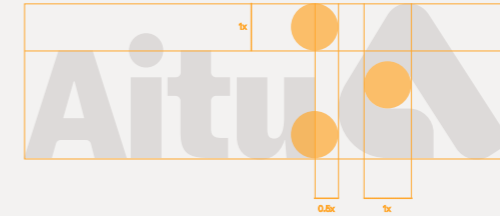
我们深耕于服装智能制造领域，专注于人工智能装备的研发与应用
我们始终坚信
机器的智能与人类的智慧能够相互成就，释放出极致效能与无限潜力

我们致力于以更具人文关怀的产品与服务
为客户打造舒适减压的工作环境
这不仅是差异化的核心竞争力，更能助力企业吸引并留住优秀人才
赢得品牌合作伙伴的深度认可

依托前沿智能科技，我们持续创新技术与服务
用智能化解决方案赋能每一位使用者
让创造更高效、更卓越
最终成就无数人的更好创造

Made Intelligent, Made For Creation

We are deeply engaged in the field of intelligent garment manufacturing and focus on the R&D and application of artificial intelligence equipment. we are convinced that machine intelligence and human wisdom can powerfully complement one another unlocking unprecedented efficiency and limitless potential. Dedicated to offering products and services infused with genuine humanistic care, we strive to create a comfortable and low-pressure working environment for our clients. his is not only the core competitive edge for differentiation, but also helps enterprises attract and retain outstanding talents, and gain in-depth recognition from brand partners. By integrating cutting-edge intelligent technology, we continuously innovate across both technical and service dimensions, empower every user with intelligent solutions, make creation more efficient and outstanding, and ultimately enable countless people to achieve better creation.



“Aitu”的品牌标识匠心独运，深刻蕴藏着我们的基因与敬意。Logo由“Ai”与“tu”两部分构成：“Ai”即人工智能(Artificial Intelligence)，代表着我们致力于探索科技前沿，以创新智能驱动未来；而“tu”则直接致敬计算机科学与人工智能之父--艾伦·图灵(Alan Turing)。这个名字与标识，象征着我们的核心使命：一切智造，助人创造。这将秉承图灵博士的开拓精神与无限想象力，将前沿思想转化为切实可行的解决方案，以智能技术推动人类文明的进步。它不只是一个名字，更代表我们向人工智能之父致敬的初心，以及立志开启一个人机协同、智能互鉴的新时代庄严承诺。

The brand identity of "Aitu" is thoughtfully designed to reflect our core values and profound respect for technological pioneers. The logo is composed of two integral elements "Ai"(Artificial Intelligence), represents our commitment to exploring the frontiers of technology and driving the future with innovative intelligence while "tu" is a direct tribute to Alan Turing, the father of computer science and artificial intelligence. This name and logo symbolize our core mission to inherit Dr. Turing's pioneering spirit and boundless imagination, transform forward-thinking ideas into practical solutions, and benefit humanity with intelligent technology. It is not just a name, but also our solemn commitment to honoring the pioneer and aspiring to create the next era of intelligence.



About Us

关于我们



艾图（浙江）智能缝制科技有限公司是一家以人工智能（AI）与人形机器人技术为核心，致力于为全球制造业提供先进的智能制造解决方案的创新型科技企业。

目前，我们深度融合人形机器人、人工智能(AI)、物联网(IoT)、大数据的智能制造解决方案，已应用于服装、家居、汽车内饰等智能缝制设备领域，以AI创新重塑行业未来。

母公司杰克科技始于1995年，为上证主板上市公司（股票代码：603337），是全球智能缝制行业产销规模最大、综合实力最强的企业之一，也是行业唯一一家集PDM、APS、MES、WMS、人工智能融合一体的智能制造软件系统以及服装面辅料智能仓储、智能裁剪、AI排产吊挂、智能缝纫、智能分拣、数字化成品仓储等软硬件为一体的智能化服装成套装备服务商，连续14年全球第一。公司拥有全球8000多家经销商，营销网络遍布全球170多个国家和地区，服务于服装、鞋业、箱包、家具、皮革、汽车、航空等多个领域。

Aitu Zhejiang Intelligent Sewing Technology Co., Ltd. is a high-tech enterprise dedicated to the research, development, and manufacturing of intelligent sewing equipment.

By integrating cutting-edge core technologies such as humanoid robotics, the IoT, AI, and big data analytics, the company facilitates the digital and intelligent transformation of the traditional sewing industry. Our solutions enhance operational efficiency, precision, and sustainable development across multiple sectors including apparel, home textiles, and automotive interiors.

The parent company, Jack Technology (Stock Code 603337, Shanghai Stock Exchange), which was founded in 1995 stands as one of the enterprises with the largest production and sales scale and the strongest comprehensive strength in the global intelligent sewing industry. It is also the only service provider in the industry that integrates intelligent manufacturing software systems including PDM, APS, MES, WMS and artificial intelligence and hardware such as intelligent warehousing for garment fabrics and accessories, intelligent cutting, AI scheduling hanging system, intelligent sewing, intelligent sorting and digital finished product warehousing into an integrated set of intelligent garment equipment. It has ranked first in the world for 14 consecutive years. With a global distribution network of over 8,000 partners spanning 170 countries and regions, Jack Technology serves a diverse range of industries including footwear, luggage, furniture, leather goods, automotive, and aerospace.

*数据来源：弗若斯特沙利文按全球各大工业缝纫机企业于2010年至2023年间每年的工业缝纫机销售台数统计，于2024年9月完成调研。
*Source: Frost & Sullivan's research based on the number of industrial sewing machines sold by major global industrial sewing machine companies in each year between 2010 and 2023, market research completed in September 2024.

Top Talent Matrix Driving Industry Innovation

顶尖人才矩阵 驱动行业革新

100+ 硕博团队
来自全球顶尖院校,专注人工智能(AI)、人形机器人、大数据等前沿技术研发,持续突破创新边界。

Postgraduate & Doctoral Team

Composed of graduates from top global universities, this team focuses on R&D of cutting-edge technologies including AI artificial intelligence and big data.

300+ 资深工程师
10年以上行业经验,覆盖全技术链条,确保创新高效落地。

Senior Engineers

With over 10 years of industry experience and expertise spanning the entire technology stack, we ensure efficient and effective implementation of innovations.

600+ 专业团队
完整职能架构,集研发、生产、市场品牌于一体,为客户提供全方位解决方案。

Professional Team

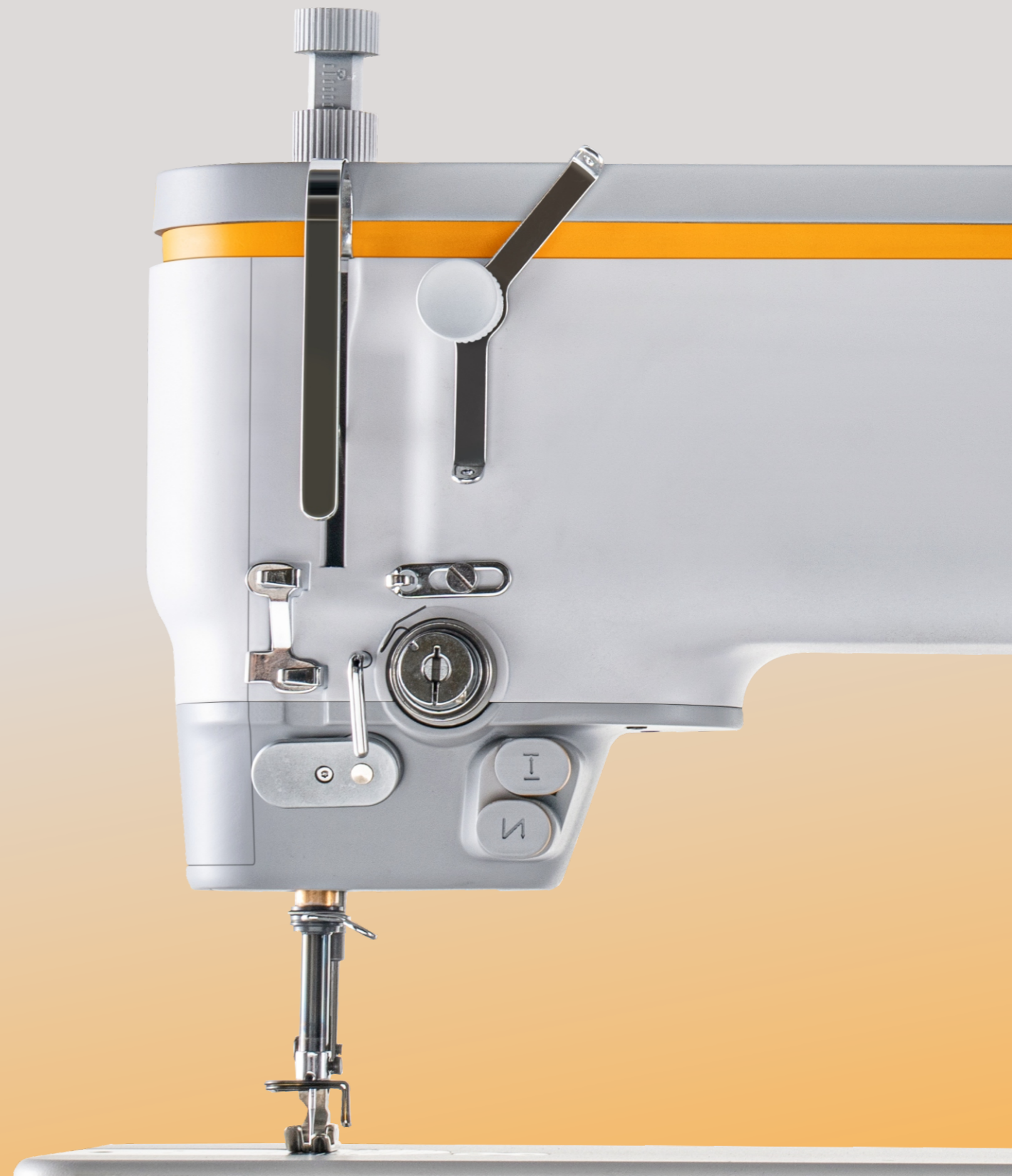
With a complete functional structure that integrates R&D, production, and marketing & branding, providing customers with comprehensive solutions.

Product Introduction

产品介绍

World's first AI-powered garment equipment category -
sewing machine that masters human experiences

全球首个AI服装设备新品类-掌握人类经验的缝纫机



Mastering Human Experiences with AI

AI 掌握人类经验



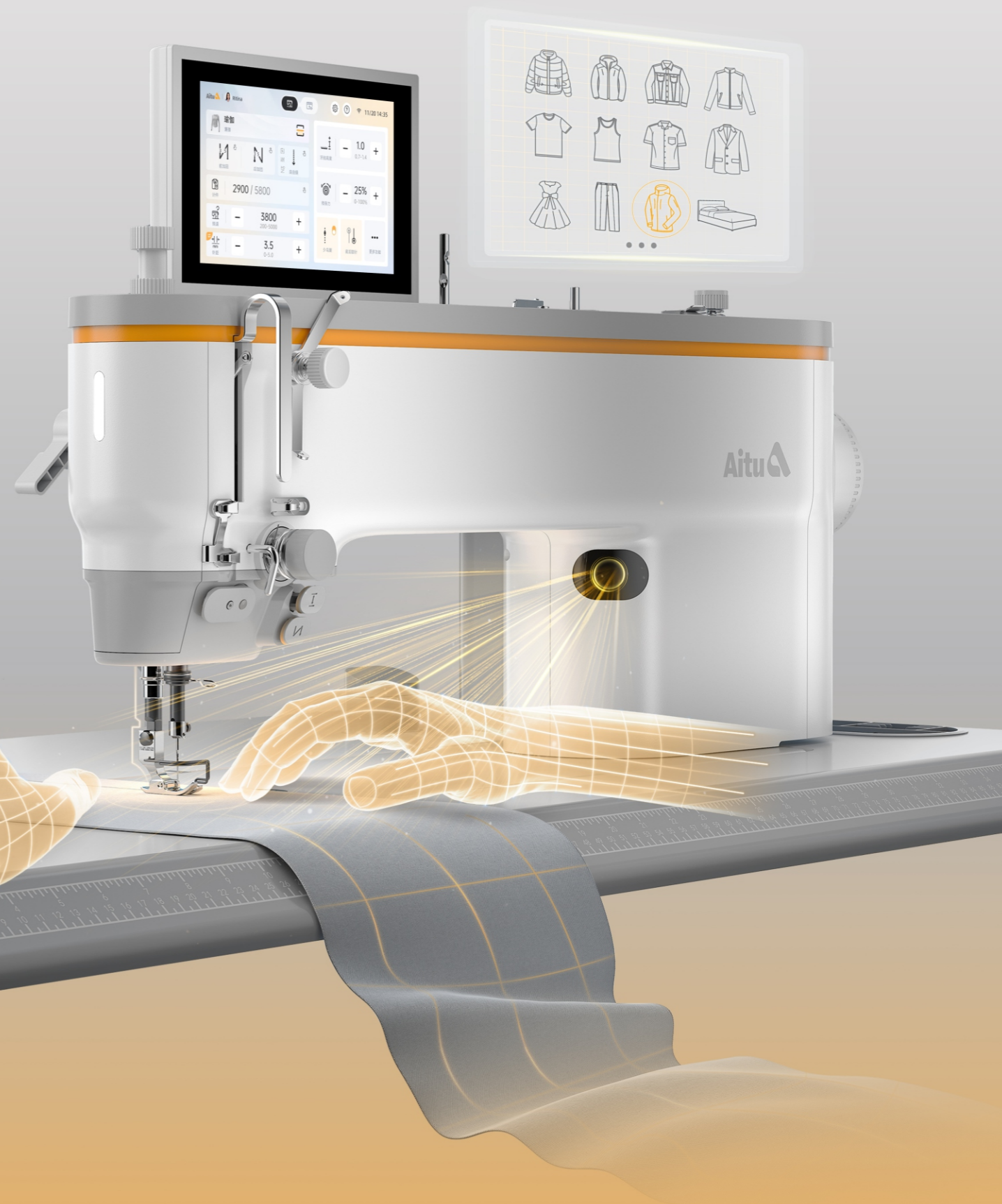
天眼狐AI视觉系统
SkyFox AI Vision System

AI 动作分析，助力产能高效提升
AI Motion Analysis for Enhanced Production Efficiency



AI全数字柔性送料技术
AI-Driven Fully Digital Flexible Feeding Technology

AI 1秒调机，实现高品质缝纫
AI-Driven 1-Second Adjustment Achieves High-Quality Stitching



AI产品创新金奖 —— IFA 国际大奖
AI Product Innovation Gold Award —— IFA International Awards



天眼狐AI视觉系统
SkyFox AI Vision System

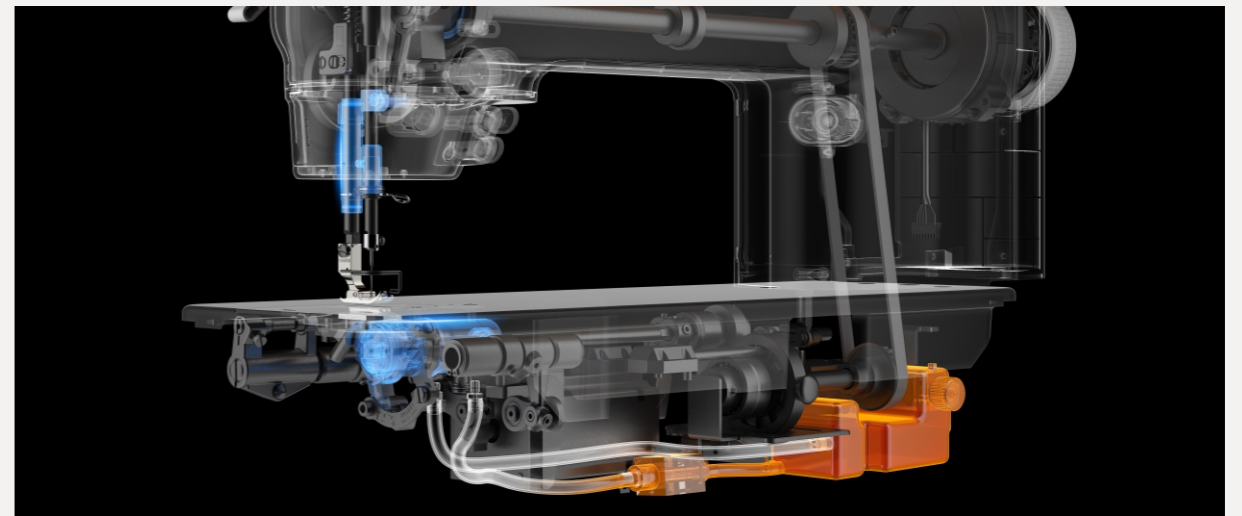
AI动作分析，助力产能高效提升
AI Motion Analysis for Enhanced Production Efficiency



3000种面料数据大模型
3000 kinds of fabric database large model

AI全数字柔性送料技术
AI-Driven Fully Digital Flexible Feeding Technology

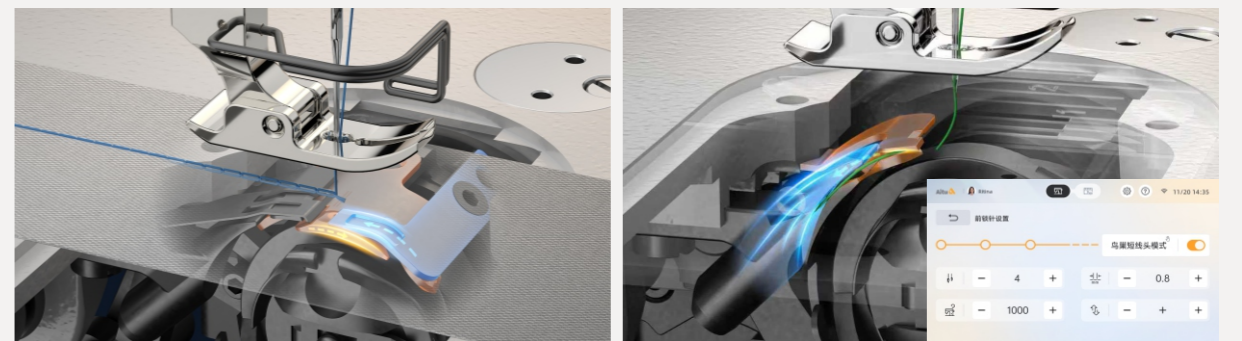
AI1秒调机，实现高品质缝纫
AI-Driven 1-Second Adjustment Achieves High-Quality Stitching



全系无油技术
Full Range Oil-Free Clean Sewing

采用轴承、同步带传动，彻底解决油污烦恼，提升品质，不返工不退货。
The entire machine is free from white oil lubrication, utilizing bearings and synchronous belt transmission, effectively eliminating oil contamination concerns, enhancing quality, and ensuring no rework or returns.

面料上下无线头
No Threads on Fabric Top and Bottom



双动刀剪线，剪线后线头 $\leq 3\text{mm}$ 。
Double-action knife thread trimming, and the length of the remaining thread is less than 3mm.

鸟巢短线头模式，起缝正面无线头，反面无鸟巢。
Activate the "short thread end & no thread nest" mode to ensure no thread ends on the front side and no thread nests on the back side during initial stitching.

技术参数 Technical Parameters

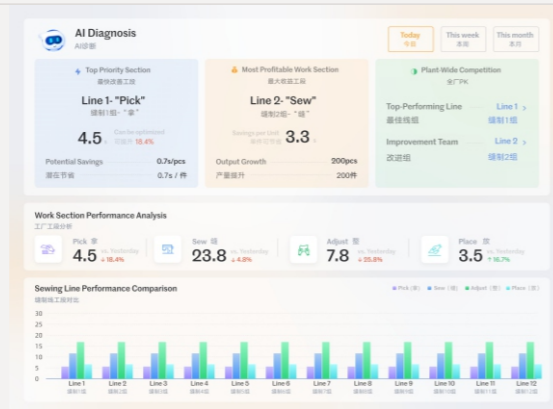
Model	Needle	Presser	Presser Foot	Presser Foot	Stitch Length	Stitch Width	Stitch Width	Stitch Width	Dimensions	Weight
	(mm)	(mm)	(mm)	(mm)	(S.p.m)	A	M	H	(mm)	NW/GW (kg)
Ai10	DB×1 9-18#	2	5	1-13	5000	•	•		720×355×580	44.5/51.5

AI Value-added Services for Easier Capacity Improvement

AI 增值服务，产能提升更轻松

产线能力AI评估

AI evaluation of production line capability



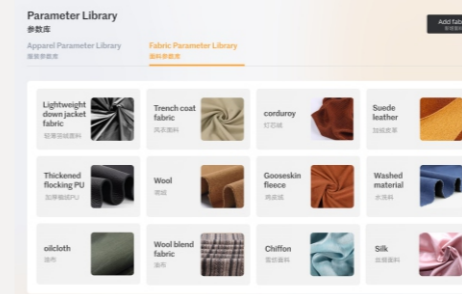
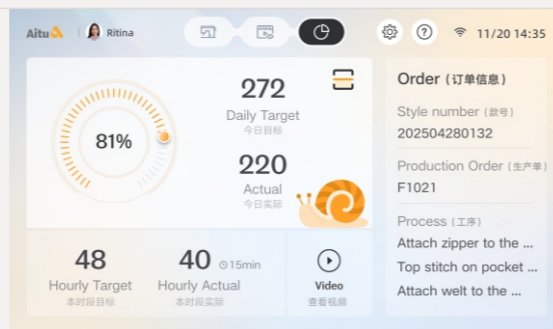
产能提升建议/AI管理分析报表

Production capacity improvement suggestions
AI Management Analysis Dashboard

No.	Process Name	Worker	Action	SMV(s)	Benchmark Time(s)	Actual Time(s)	SMV vs Benchmark	Actual vs Benchmark	Improvement	Time sharing warning
1	Close pocket mouth bottom open x 2	Sophia	Pick (8)	3.8	5.0	3.8	-23.0%	-	-	-
		Elizabeth	Sew (18)	20.5	25.0	20.5	-19.6%	-	-	Facet period 11:00-12:00
		Victoria	Adjust (8)	6.2	5.8	6.2	+6.9%	-	-	-
		PK	Place (8)	2.0	4.0	2.0	-50.0%	-	-	-
2	Attach bottom pocket bag to the pocket mouth x 2	Sophia	Pick (8)	5.3	5.0	5.3	+6.0%	-	-	-
		Elizabeth	Sew (18)	12.6	15.1	12.6	-16.6%	-	-	Facet period 11:00-12:00
		Victoria	Adjust (8)	23.2	24.9	23.2	-6.8%	-	-	-
		PK	Place (8)	3.9	4.0	3.9	-2.5%	-	-	-
		Sophia	Pick (8)	3.4	4.2	3.4	-19.0%	-	-	-
		Sophia	Sew (18)	18.2	17.8	18.2	+2.2%	-	-	-

产量统计与分析

Production Statistics and Analysis



AI掌握机修经验

Master Mechanical Experiences with AI

调机提效

Improvement of Machine Setup Efficiency

异常返工减少

Reduction in Unplanned Rework

80%

50%

海量面料参数库，批量秒级下发，告别手动调机
Comprehensive fabric parameter database, batch distribution in seconds — say goodbye to manual machine adjustments.

AI掌握车工经验

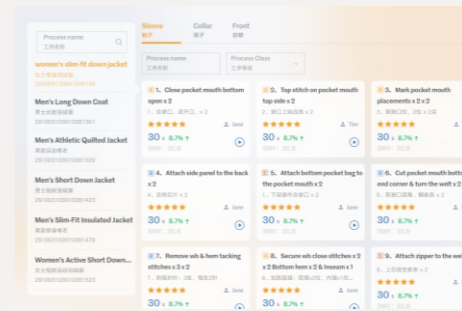
Master Sewers' Experiences with AI

培训周期缩短

Accelerated training for skilled workers

60%

AI视觉，分析最优工人手势，经验沉淀，高效传承
AI vision, analyze optimal worker gestures, experience precipitation, efficient inheritance



实时动作分析

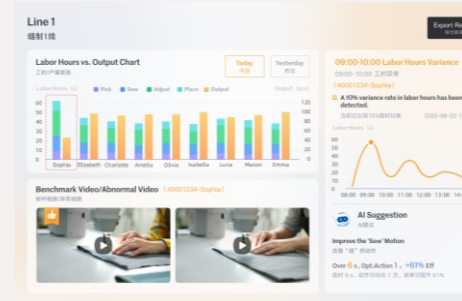
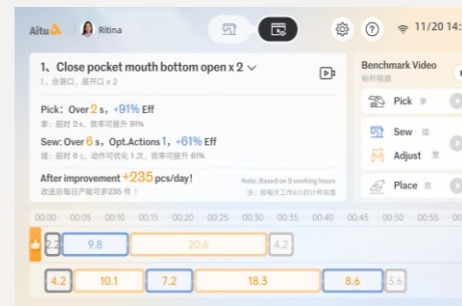
Real-time action analysis

产线效率综合提升

Comprehensive improvement of production line efficiency

8%-15%

实时动作分析，为每位车工提供专属的动作与工时优化方案
Real-time action analysis, providing each sewing worker with a customized action and cycle time optimization plan



发现产能损失

Discover production capacity loss

改善执行率超

improve the execution rate

90%

提升员工技能，解决产线瓶颈
Enhance employee skills and eliminate production line bottlenecks

Aitu, Building A Product System With AI As The Core

艾图，构建以AI为核心的产品体系



未来的缝纫工
持续学习，越用越聪明
降低工价成本20%以上
Sewing operators will continuously learn
and grow smarter with use, cutting labor
costs by more than 20%

Aitu艾图

Aitu品牌 全球首发
Aitu Brand Launch
2025

AI缝制单机
AI Sewing Unit



AI平缝机
AI Lockstitch Machine
2025



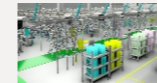
AI包缝机
AI Overlock Machine
2026



AI绷缝机
AI Interlock Machine
2027

AI其他机型持续
发布...
Continuous Launch Of
Other AI Machine...

AI产线
AI Production Line



AI吊挂
AI Hanging System
2026

机器人
Robot



服装人形机器人
Garment Humanoid Robot
2026

非服装人形机器人...
Non-Garment Humanoid
Robot Launch...

智能服装加工中心
Smart Garment
Processing Center



衬衫无人化
Smart Shirt Production
Line
2027



T恤无人化
Smart T-shirts Production
Line
2027

AI软件
AI Software



AIMES
2025

...

APS
2026

AI自动机
AI Automaton



AI自动拼缝机
AI Automatic Joining
Machine
2026



AI自动合缝机
AI Automatic Seam
Joining Machine
2026



AI自动贴袋机
AI Automatic Pocket
Attaching Machine
2026

Ecosystem Partner

生态合作伙伴

We are committed to working with the world's leading technology partners to drive the development of the industry

和全球顶尖的科技伙伴一起努力，为行业发展贡献力量

Joint Innovation Key Account

联合创新大客户

Earn the continuous recognition from well-known clients jointly innovating to shape the future of the industry

赢得知名客户的持续认可，联合创新开启行业新未来

